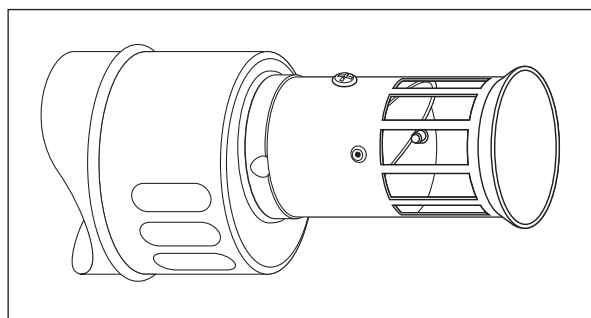


CONDENSING FLUE DEFLECTOR TERMINAL 7 719 002 187 (AZB 845) FITTING INSTRUCTIONS

**THESE INSTRUCTIONS APPLY IN THE UK ONLY
PLEASE LEAVE INSTRUCTIONS WITH THE USER OR AT THE APPLIANCE
THE WORK MUST BE CARRIED OUT BY A COMPETENT PERSON
THESE INSTRUCTIONS MUST BE READ IN CONJUNCTION WITH THE
INSTALLATION AND MAINTENANCE INSTRUCTIONS TO THE BOILER**



Flue Deflector. 7 719 002 187

CONTENTS

- x1 Condensing Flue Deflector terminal - 7 719 002 187 (AZB 845)
- x1 Retaining screw



FOR USE WITH 4" (100mm) CONDENSING HORIZONTAL FLUE TERMINAL ONLY
Worcester Bosch Part No. 7 719 002 069

DO NOT USE ON ANY OTHER FLUE SYSTEM

SAFETY: Fitting to an existing installation - switch off and isolate the relevant boiler and ensure the flue terminal is cool before fitting the deflector. Consideration should be given to the proximity of eaves and fascia boards etc, where condensate could effect the durability of woodwork or plastic.

FITTING THE FLUE DEFLECTOR TERMINAL

Slide the open end of the flue deflector onto the end of the flue terminal, up to the rivet stops, with the pre-drilled hole in the deflector facing upwards.

Mark the position of the screw hole.

Remove the terminal deflector from the flue terminal.

Drill a hole through the terminal where marked using a 3mm (1/8") diameter drill bit and remove any sharp burrs.

Refit the flue deflector onto the terminal end, align holes and secure using the screw provided.