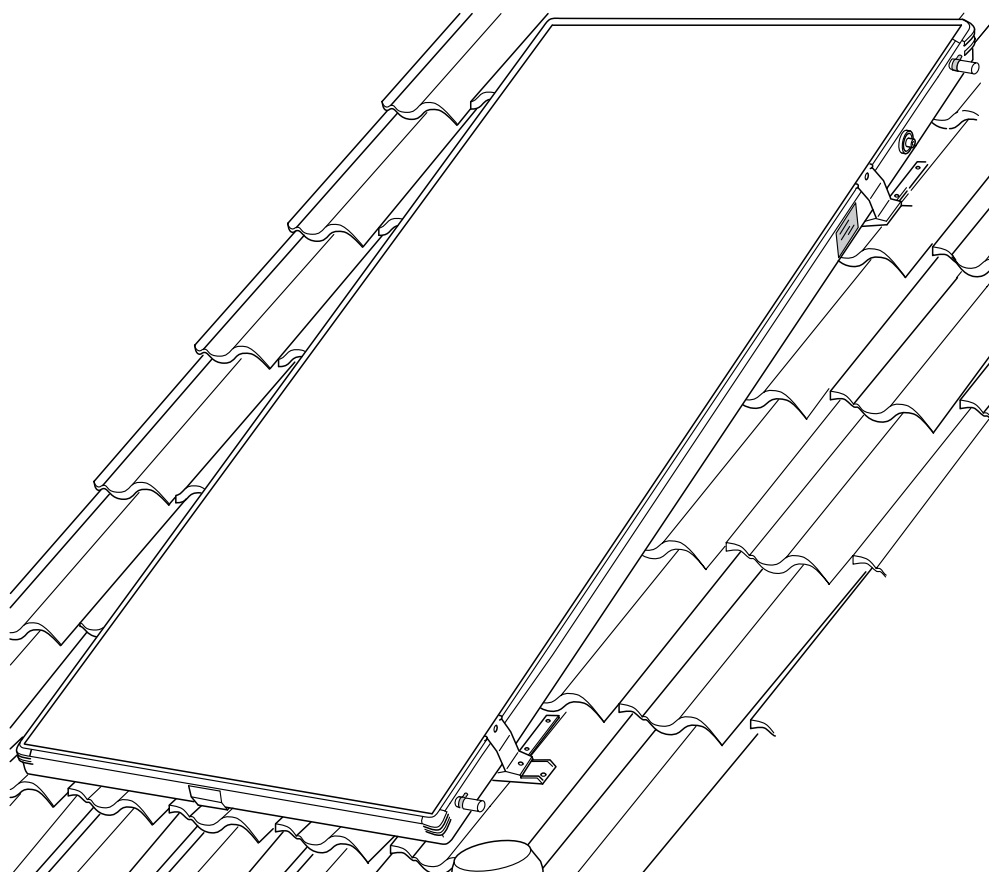


Installation instructions

**Conversion kit 10 bar
for solar collectors with
hose nozzle connection according to
DIN 3021, part 3**



1 General information

These collectors are supplied with spring clips. These spring clips enable the system to be operated with a pressure up to 3bar.

The collectors must be converted using the conversion kit, if a higher operating pressure is required (up to 10bar).

To convert these collectors, replace the factory-fitted spring clips with stainless steel jubilee clips.

2 Standard delivery

The conversion kit is available in two versions:

Conversion kit for five collectors

- 25 Stainless steel jubilee clips
- 5 Type plates (10bar)

Conversion kit for each additional collector

- 4 Stainless steel jubilee clips
- 1 Type plate (10bar)

3 Installation



WARNING!

For safety reasons we would recommend the use of special pliers (available from your trade supplier) to remove the factory-fitted spring clips.

- Release the spring clips (Fig. 1, **Item 1**) by pressing both tabs together (see arrows in Fig. 1) and remove the clips.

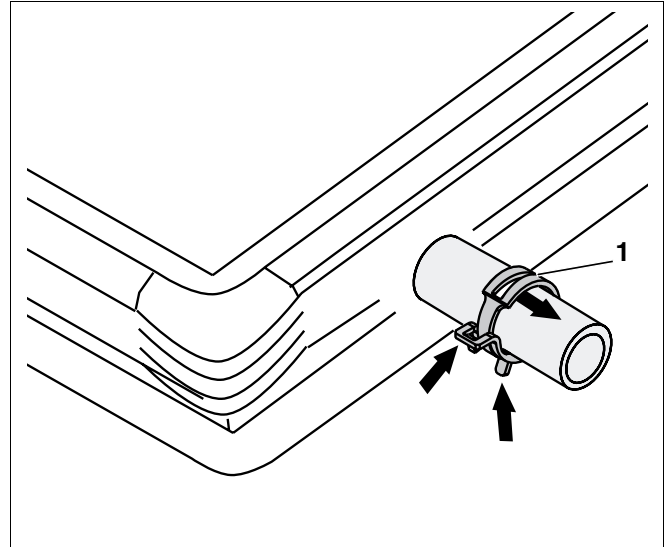


Fig.1 Removal – spring clips

- Push the stainless steel jubilee clips (Fig. 2, **Item 1**) onto the connector.
- Lightly tighten the stainless steel jubilee clips with a screwdriver (approx. 2–3Nm) (Fig. 2, **Item 2**).

For the remaining steps of the solar collector installation see the respective installation instructions.

Contrary to those installation instructions, always use stainless steel jubilee clips instead of the spring clips.



WARNING!

Re-tighten the stainless steel jubilee clips with a screwdriver after operating the system for five hours.

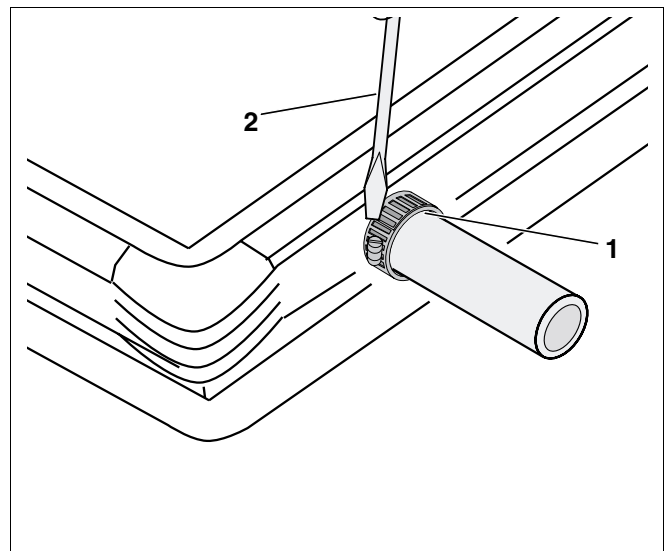


Fig.2 Assembly – stainless steel jubilee clips

The conversion of the solar collectors to a permissible operating pressure of 10bar must be identified by affixing the enclosed type plate label on the solar collectors!

- Affix the type plate label (Fig. 3, **Item 2**) at the top of the r.h. side of the collector, i.e. next to the existing type plate (Fig. 3, **Item 1**).

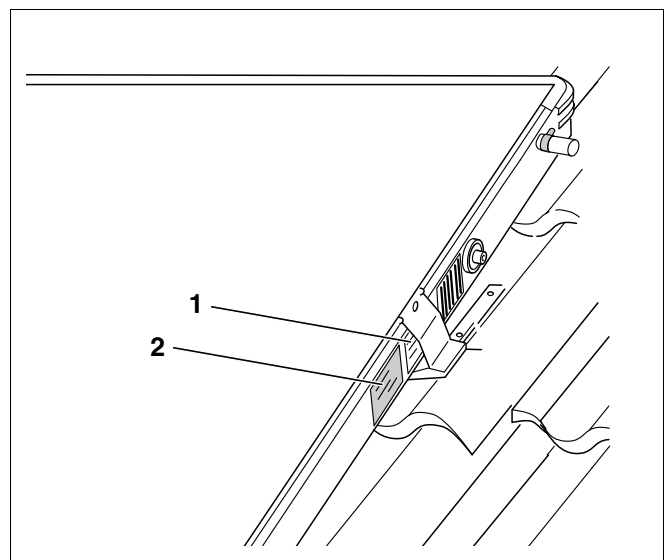


Fig.3 Location – type plate label

Your local heating contractor: